

O'deon



O'deon

AC-2024

CONFIGURATIONS

OTTOMAN • CHAIR • LOVESEAT • SOFA

Top view shown at 1/4" scale.

SPECIFICATIONS

FRAME: Select hardwood and industrial grade plywood covered with polyurethane foam and polyester fiber.

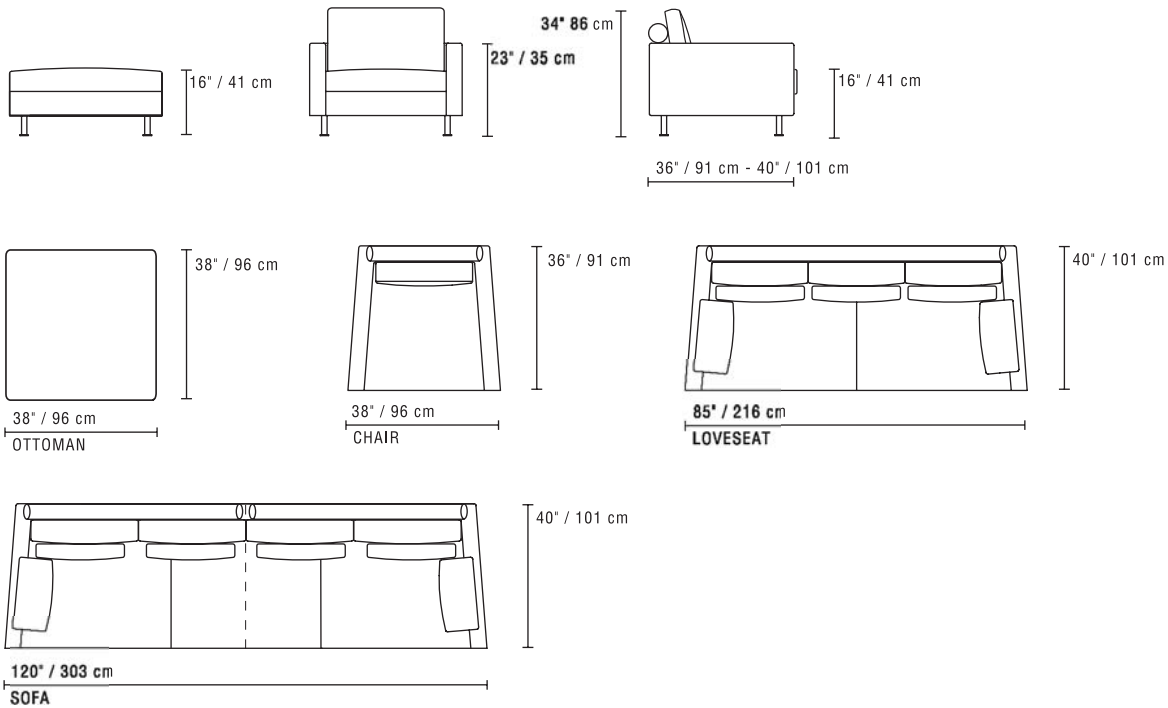
SUSPENSION: 3" unidirectional webbing.

CUSHIONS: Seat; multiple density and IFD polyurethane foam wrapped with polyester fiber.

Back; 65% white goose feathers, 10% white goose down, 25% DuPont © COMFOREL polyester.

UPHOLSTERY: Fabrics; all edges are serged and top stitched.

LEGS: Polished chrome with plastic glide.



Specifications are subject to change without notice.

© 2006 Dellarobbia, Inc.

DELLAROBBI[®]